

COVE

4-LEGGED METAL BASE CHAIR

CATAS EN 16139 LEVEL I, UNI EN 1022, UNI EN 1728



Code **OCOVEV01**


DESCRIPTION

Multifunctional chair with 4-legged metal base and polypropylene shell

NOTE

Stackable up to 4 pieces

Optional: articulated foot with felt; painted frame for outdoor use (only aluminum); upholstered cushions and seats in B01, B03, C01, C05, D02, D03, D04, P01, E01, E02, E03, I01, I02, M02, M03

Fire retardant version on request (min 300 pieces) 

Personalized painted frame on request (min 6 pieces)

TECHNICAL INFORMATION

STRUCTURE

Polypropylene shell 8mm;

Colors: White, Beige, Grey, Umbra Grey, Ocher, Burnt Orange, Olive Green, Cobalt Blue, Dark Brown

LEGS / FRAME / BASE

16X2mm tubes in steel painted in aluminum, white, shadow grey or chrome

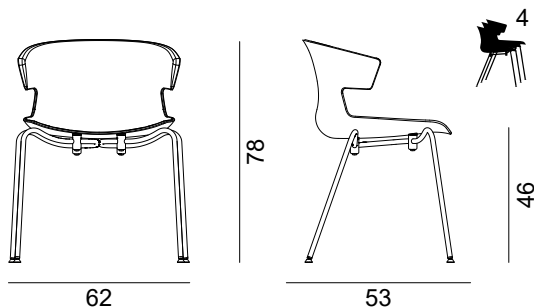
DIMENSION

Dimensions in millimeters

chair
L 590 H 770 D 520

seat
L 500 H 440 D 440

backrest
L 400 H 350



WEIGHT

Net weight a chair: 5 Kg
Gross weight a chair: 6 Kg

PACKAGING

2 disassembled chair
per box

VOLUME X COLLO

M3: 0,17

COVE

METAL SLED BASE



Code **OCOVEV02**

DESCRIPTION

Multifunctional chair with metal sled base and polypropylene shell

NOTE

Stackable up to 4 pieces

Optional: Linking device; upholstered cushions and seats in B01, B03, C01, C05, D02, D03, D04, P01, E01, E02, E03, I01, I02, M02, M03

Fire retardant version on request (min 300 pieces)

Personalized painted frame on request (min 6 pieces)

TECHNICAL INFORMATION

STRUCTURE

Polypropylene shell 8mm;

Colors: White, Beige, Grey, Umbra Grey, Ocher, Burnt Orange, Olive Green, Cobalt Blue, Dark Brown

LEGS / FRAME / BASE

11mm rods in steel painted in aluminum, white, shadow grey or chrome

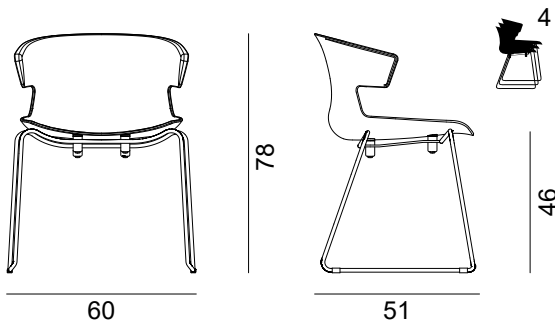
DIMENSION

Dimensions in millimeters

chair
L 590 H 770 D 520

seat
L 500 H 440 D 440

backrest
L 400 H 350



WEIGHT

Net weight a chair: 6 Kg
Gross weight a chair: 7 Kg

PACKAGING

2 disassembled chair per box

VOLUME X PACKAGE

M3: 0,17

COVE

WOODEN 4 LEG CHAIR



CATAS EN 16139 LEVEL I

Code **OCOVEV03**

DESCRIPTION

Multifunctional chair with solid beech base and polypropylene shell

NOTE

upholstered cushions and seats in B01, B03, C01, C05, D02, D03, D04, P01, E01, E02, E03, I01, I02, M02, M03

Personalized painted frame on request (min 6 pieces)

TECHNICAL INFORMATION

STRUCTURE

Polypropylene shell 8mm;

Colors: White, Beige, Grey, Umbra Grey, Ocher, Burnt Orange, Olive Green, Cobalt Blue, Dark Brown

LEGS / FRAME / BASE

Solid ash wood with oak or walnut finish. Personalized painted frame on request.

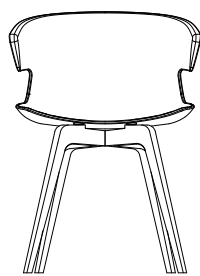
DIMENSION

Dimensions in millimeters

chair
L 550 H 770 D 520

seat
L 500 H 440 D 440

backrest
L 400 H 350



56

78



51

46

WEIGHT

Net weight a chair: 5 Kg
Gross weight a chair: 6 Kg

PACKAGING

1 package with two shells
1 package with two stems

VOLUME X 2 CHAIRS

M3: 0,26

COVE

CHAIR WITH SWIVEL TRESTLE BASE



Code **OCOVEV04**

DESCRIPTION

Multifunctional chair with aluminum base and polypropylene shell

NOTE

Optional: upholstered cushions and seats in B01, B03, C01, C05, D02, D03, D04, P01, E01, E02, E03, I01, I02, M02, M03

Fire retardant version on request (min 300 pieces) 

TECHNICAL INFORMATION

STRUCTURE

Polypropylene shell 8mm;

Colors: White, Beige, Grey, Umbra Grey, Ocher, Burnt Orange, Olive Green, Cobalt Blue, Dark Brown

LEGS / FRAME / BASE

700mm trestle in die-cast aluminum painted white, aluminum or shadow grey

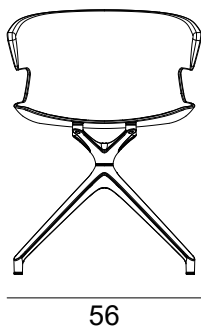
DIMENSION

Dimensions in millimeters

chair
L 560 H 780 D 510

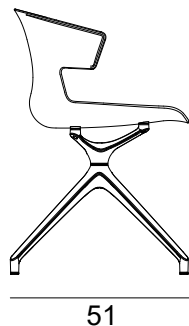
seat
L 500 H 440 D 440

backrest
L 400 H 350



78

56



46

51

WEIGHT

Net weight a chair: 7 Kg
Gross weight a chair: 10 Kg

PACKAGING

1 package with two shells
1 package with two stems

VOLUME X 2 CHAIRS

M3: 0,25

COVE

SWIVEL CHAIR 5-STAR BASE WITH WHEELS

CATAS EN 16139 LEVEL I




Code **OCOVEA01**

DESCRIPTION

Multifunctional swivel chair with polypropylene shell and 5-star base

NOTE

Optional: cushions and chairs upholstered in B01, B03, C01, C05, D02, D03, D04, P01, E01, E02, E03, I01, I02, M02, M03; various types of wheel brakes.

Fire retardant version on request (min 300 pieces) 

TECHNICAL INFORMATION

STRUCTURE

Polypropylene shell 8mm;

Colors: White, Beige, Grey, Umbra Grey, Ocher, Burnt Orange, Olive Green, Cobalt Blue, Dark Brown

MECHANISM

Gas lift

LEGS / FRAME / BASE

Die-cast aluminum 670mm painted aluminum, white or shadow grey

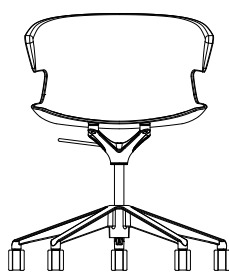
DIMENSION

Dimensions in millimeters

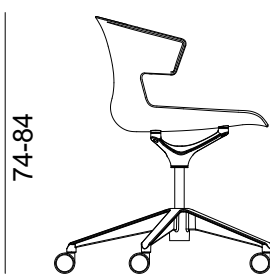
chair
L 650 H 740-840 D 650

seat
L 500 H 420-520 D 440

backrest
L 400 H 350



67



74-84

42-52

67

WEIGHT

Net weight a chair: 7 Kg
Gross weight a chair: 9 Kg

PACKAGING

1 disassembled chair per box
L 620 H 650 D 370

VOLUME

M3 box: 0,15

COVE

OUTDOOR CHAIR



Code **OCOVE001**

DESCRIPTION

Multifunctional chair with metal base and shell

NOTE

Optional: upholstered seat in simil leather B03
Personalized painted frame on request (min 50 pieces)
Do not expose to rain.

TECHNICAL INFORMATION

STRUCTURE

Steel rod 8mm and 6mm galvanized painted for external use in white or shadow grey

LEGS / FRAME / BASE

Steel frame 12mm with external paint in white or shadow grey

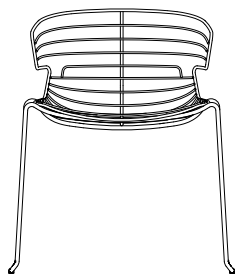
DIMENSION

Dimensions in millimeters

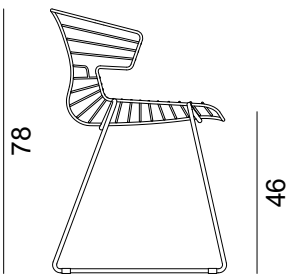
chair
L 635 H 780 D 520

seat
L 490 H 440 D 430

backrest
L 400 H 350



63,5



78

46

52

WEIGHT

Net weight a chair: 7 Kg
Gross weight a chair: 8,5 Kg

PACKAGING

2 chairs per package

VOLUME

M3 box: 0,35

COVE

4 LEG H75 STOOL

CATAS EN 16139 LEVEL I

Code **OCOVES01**




DESCRIPTION

Stool with 4-legged metal base and polypropylene shell

NOTE

Stackable up to 2 pieces.

Optional: articulated foot with felt; painted frame for outdoor use (only aluminum); upholstered cushions and seats in B01, B03, C01, C05, D02, D03, D04, P01, E01, E02, E03, I01, I02, M02, M03.

Fire retardant version on request (min 300 pieces) 

Personalized painted frame on request (min 2 pieces)

TECHNICAL INFORMATION

STRUCTURE

Polypropylene shell 8mm;

Colors: White, Beige, Grey, Umbra Grey, Ocher, Burnt Orange, Olive Green, Cobalt Blue, Dark Brown

LEGS / FRAME / BASE

16X2mm tubes in chrome steel

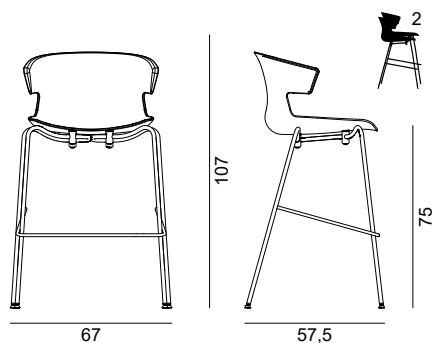
DIMENSION

Dimensions in millimeters

chair
L 670 H 1070 D 575

seat
L 500 H 750 D 440

backrest
L 400 H 350



WEIGHT

Net weight a chair: 7,5 Kg
Gross weight a chair: 9 Kg

PACKAGING

2 disassembled chair per box

VOLUME X COLLO

M3: 0,34

COVE

4 LEG H65 STOOL

CATAS EN 16139 LEVEL I

Code **OCOVES02**



DESCRIPTION

Stool with 4-legged metal base and polypropylene shell

NOTE

Stackable up to 2 pieces. Optional: articulated foot with felt; painted frame for outdoor use (only aluminum); upholstered cushions and seats in B01, B03, C01, C05, D02, D03, D04, P01, E01, E02, E03, I01, I02, M02, M03.

Fire retardant version on request (min 300 pieces) 

Personalized painted frame on request (min 2 pieces)

TECHNICAL INFORMATION

STRUCTURE

Polypropylene shell 8mm;

Colors: White, Beige, Grey, Umbra Grey, Ocher, Burnt Orange, Olive Green, Cobalt Blue, Dark Brown

LEGS / FRAME / BASE

16X2mm tubes in chrome steel

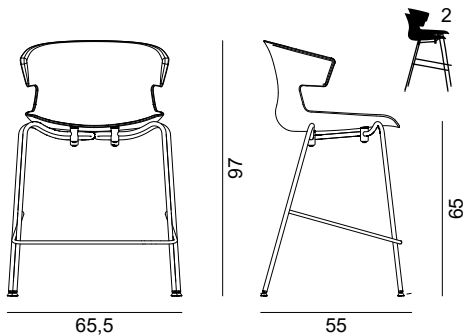
DIMENSION

Dimensions in millimeters

chair
L 670 H 1070 D 575

seat
L 500 H 650 D 440

backrest
L 400 H 350



WEIGHT

Net weight a chair: 7 Kg
Gross weight a chair: 8,5 Kg

PACKAGING

2 disassembled chair per box

VOLUME X COLLO

M3: 0,34

COVE

SWIVEL BASE STOOL




Code **OCOVES03**

DESCRIPTION

Swivel base stool with adjustable height

NOTE

Optional: upholstered cushions and seats in B01, B03, C01, C05, D02, D03, D04, P01, E01, E02, E03, I01, I02, M02, M03

Fire retardant version on request (min 300 pieces) 

TECHNICAL INFORMATION

STRUCTURE

Polypropylene shell 8mm;

Colors: White, Beige, Grey, Umbra Grey, Ocher, Burnt Orange, Olive Green, Cobalt Blue, Dark Brown

MECHANISM

MEC01- No mechanism

LEGS / FRAME / BASE

Chrome plated ballast with elevated footrest

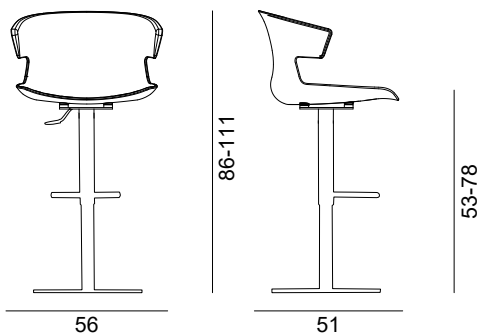
DIMENSION

Dimensions in millimeters

chair
L 560 H 860-1110 D 510

seat
L 500 H 440 D 440

backrest
L 400 H 350



WEIGHT

Net weight a chair: 21 Kg
Gross weight a chair: 24 Kg

PACKAGING

1 assembled chair per
package

VOLUME X COLLO

M3: 0,35

COVE

UPHOLSTERED 5-STAR SWIVEL BASE STOOL

Code **OCOVES04**

DESCRIPTION

Swivel based adjustable height stool, with adjustable height footrest, polypropylene shell

NOTE

Optional: upholstered cushions and seats in B01, B03, C01, C05, D02, D03, D04, P01, E01, E02, E03, I01, I02, M02, M03

Fire retardant version on request (min 300 pieces) 

TECHNICAL INFORMATION

STRUCTURE

Polypropylene shell 8mm;

Colors: White, Beige, Grey, Umbra Grey, Ocher, Burnt Orange, Olive Green, Cobalt Blue, Dark Brown

MECHANISM

MEC01- No mechanism

LEGS / FRAME / BASE

Base in alluminio pressofuso d670 verniciata alluminio o bianco; piastra e poggiapiedi in tinta

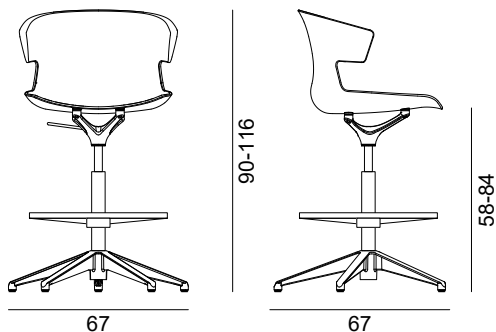
DIMENSION

Dimensions in millimeters

chair
L 650 H 900-1160 D 650

seat
L 500 H 530-780 D 440

backrest
L 400 H 350



WEIGHT

Net weight a chair: 8 Kg
Gross weight a chair: 10 Kg

PACKAGING

1 disassembled chair per box

VOLUME

M3 box: 0,19


COVE

2-PERSON BENCH



Code **OCOVE201**

DESCRIPTION
2-person bench

NOTE
Optional: table for seat substitution; cushions and chairs upholstered in B01, B03, C01, C05, D02, D03, D04, P01, E01, E02, E03, I01, I02, M02, M03
Fire retardant version on request (min 300 pieces) 
Personalized painted frame on request (min 2 pieces)

TECHNICAL INFORMATION

STRUCTURE

Polypropylene shell 8mm;
Colors: White, Beige, Grey, Umbra Grey, Ocher, Burnt Orange, Olive Green, Cobalt Blue, Dark Brown

LEGS / FRAME / BASE

Aluminum painted steel tubes 40X2mm - Aluminum painted steel 80x40x2

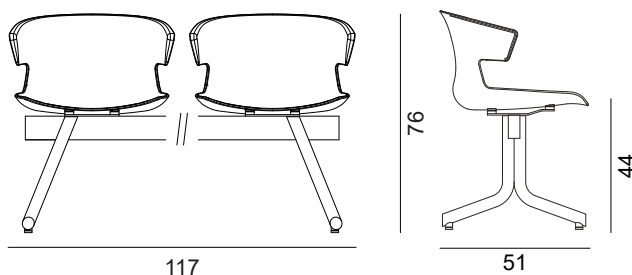
DIMENSION

Dimensions in millimeters

bench
L 1170 H 760 D 510

seat
L 500 H 440 D 440

backrest
L 400 H 350



WEIGHT

Net weight: 16 Kg
Gross weight: 19 Kg

PACKAGING

3 packages

VOLUME

M3 box: 0,17

COVE

3-PERSON BENCH




Code **OCOVE301**

DESCRIPTION

3-person bench

NOTE

Optional: table for seat substitution; cushions and chairs upholstered in B01, B03, C01, C05, D02, D03, D04, P01, E01, E02, E03, I01, I02, M02, M03

Fire retardant version on request (min 300 pieces) 

Personalized painted frame on request (min 2 pieces)

TECHNICAL INFORMATION

STRUCTURE

Polypropylene shell 8mm;

Colors: White, Beige, Grey, Umbra Grey, Ocher, Burnt Orange, Olive Green, Cobalt Blue, Dark Brown

LEGS / FRAME / BASE

Aluminum painted steel tubes 40X2mm - Aluminum painted steel 80x40x2

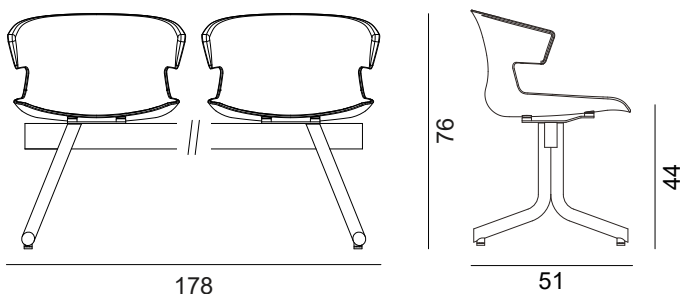
DIMENSION

Dimensions in millimeters

bench
L 1780 H 760 D 510

seat
L 490 H 440 D 430

backrest
L 400 H 340



WEIGHT

Net weight: 26 Kg
Gross weight: 31 Kg

PACKAGING

3 packages

VOLUME

M3 box: 0,18

COVE

4-PERSON BENCH




Code **OCOVE401**

DESCRIPTION

4-person bench

NOTE

Optional: table for seat substitution; cushions and chairs upholstered in B01, B03, C01, C05, D02, D03, D04, P01, E01, E02, E03, I01, I02, M02, M03

Fire retardant version on request (min 300 pieces) 

Personalized painted frame on request (min 2 pieces)

TECHNICAL INFORMATION

STRUCTURE

Polypropylene shell 8mm;

Colors: White, Beige, Grey, Umbra Grey, Ocher, Burnt Orange, Olive Green, Cobalt Blue, Dark Brown

LEGS / FRAME / BASE

Aluminum painted steel tubes 40X2mm - Aluminum painted steel 80x40x2

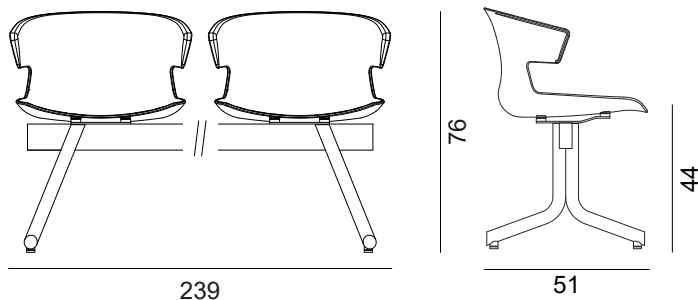
DIMENSION

Dimensions in millimeters

bench
L 2390 H 760 D 510

seat
L 500 H 440 D 440

backrest
L 400 H 350



WEIGHT

Net weight: 33 Kg
Gross weight: 38 Kg

PACKAGING

3 packages

VOLUME

M3 box: 0,32

COVE

UPHOLSTERED 4-LEGGED METAL BASE CHAIR

CATAS EN 16139 LEVEL I, UNI EN 1022, UNI EN 1728




Code **OCOVEV21**

DESCRIPTION

Multifunctional chair with 4-legged metal base and upholstered shell

NOTE

11M fire retardant B01 fabric upholstered shell 
Optional: articulated feet with felt
Personalized painted frame on request (min 6 pieces)

TECHNICAL INFORMATION

STRUCTURE

Upholstered polypropylene shell 8mm

PADDING (INJECTION MOLDED POLYURETHANE FOAM)

Seat: thickness 20 mm, density 50 Kg/m³
Backrest: thickness 20 mm, density 50 Kg/m³

LEGS / FRAME / BASE

16X2mm tubes in steel painted in aluminum, white, shadow grey or chrome

UPHOLSTERY

Categories: B01-B03-C01-C05-D02-D03-D04-D06-P01-E01-E02-E03-E04-I01-I02-M01-M02-M03
(see "FINISHING COLLECTION" folder)

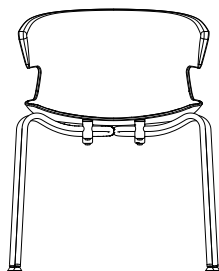
DIMENSION

Dimensions in millimeters

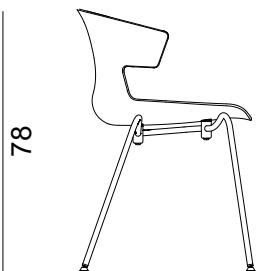
chair
L 590 H 770 D 520

seat
L 490 H 440 D 430

backrest
L 400 H 340



62



78

46

53

WEIGHT

Net weight a chair: 5,5 Kg
Gross weight a chair: 7,5 Kg

PACKAGING

1 disassembled chair per
box

VOLUME X PACKAGE

M3: 0,17

COVE

UPHOLSTERED METAL SLED BASE CHAIR




Code **OCOVEV22**

DESCRIPTION

Multifunctional chair with metal sled base and upholstered shell

NOTE

11M fire retardant B01 fabric upholstered shell 
Optional: linking device
Personalized painted frame on request (min 6 pieces)

TECHNICAL INFORMATION

STRUCTURE

Upholstered polypropylene shell 8mm

PADDING (INJECTION MOLDED POLYURETHANE FOAM)

Seat: thickness 20 mm, density 50 Kg/m³

Backrest: thickness 20 mm, density 50 Kg/m³

LEGS / FRAME / BASE

11mm steel painted rod in aluminum, white, shadow grey or chrome

UPHOLSTERY

Categories: B01, B03, C01, C05, D02, D03, D04, P01, E01, E02, E03, I01, I02, M02, M03
(see "FINISHING COLLECTION" folder)

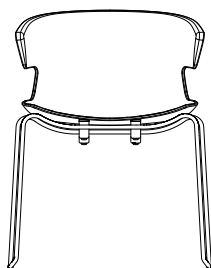
DIMENSION

Dimensions in millimeters

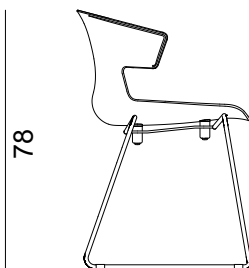
chair
L 600 H 780 D 510

seat
L 490 H 440 D 430

backrest
L 400 H 340



60



78

51

46

WEIGHT

Net weight a chair: 6,5 Kg
Gross weight a chair: 8,5 Kg

PACKAGING

1 disassembled chair per box

VOLUME X PACKAGE

M3: 0,17

COVE

UPHOLSTERED WOODEN 4 LEG CHAIR


CATAS EN 16139 LEVEL I

Code **OCOVEV23**

DESCRIPTION

Multifunctional chair with solid beech base and upholstered shell

NOTE

11M fire retardant B01 fabric upholstered shell 
Personalized painted frame on request (min 6 pieces)

TECHNICAL INFORMATION

STRUCTURE

Polypropylene seat

PADDING (INJECTION MOLDED POLYURETHANE FOAM)

Seat: thickness 20 mm, density 50 Kg/m³

Backrest: thickness 20 mm, density 50 Kg/m³

LEGS / FRAME / BASE

Solid ash wood with oak or walnut finish. Personalized painted frame on request.

UPHOLSTERY

Categories: B01, B03, C01, C05, D02, D03, D04, P01, E01, E02, E03, I01, I02, M02, M03
(see "FINISHING COLLECTION" folder)

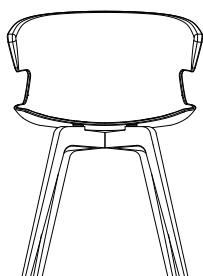
DIMENSION

Dimensions in millimeters

chair
L 550 H 770 D 520

seat
L 490 H 440 D 430

backrest
L 400 H 340



78



46

56

51

WEIGHT

Net weight a chair: 5,5 Kg
Gross weight a chair: 7,5 Kg

PACKAGING

2 package with two shells
1 package with two stems

VOLUME X 2 CHAIRS

M3: 0,41

COVE

UPHOLSTERED CHAIR WITH SWIVEL TRESTLE BASE



Code **OCOVEV24**

DESCRIPTION

Multifunctional chair with aluminum base and upholstered shell

NOTE

11M fire retardant B01 fabric upholstered shell 

TECHNICAL INFORMATION

STRUCTURE

Upholstered polypropylene shell 8mm

PADDING (INJECTION MOLDED POLYURETHANE FOAM)

Seat: thickness 20 mm, density 50 Kg/m³

Backrest: thickness 20 mm, density 50 Kg/m³

LEGS / FRAME / BASE

700mm trestle in die-cast aluminum painted white, aluminum or shadow grey

UPHOLSTERY

Categories: B01, B03, C01, C05, D02, D03, D04, P01, E01, E02, E03, I01, I02, M02, M03
(see "FINISHING COLLECTION" folder)

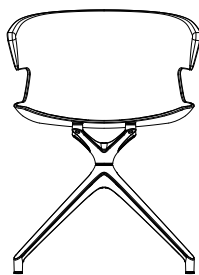
DIMENSION

Dimensions in millimeters

chair
L 560 H 780 D 510

seat
L 490 H 440 D 430

backrest
L 400 H 340



56

78



51

46

WEIGHT

Net weight a chair: 7 Kg
Gross weight a chair: 10 Kg

PACKAGING

2 package with two shells
1 package with two stems

VOLUME X 2 CHAIRS

M3: 0,39

COVE

UPHOLSTERED SWIVEL CHAIR 5-STAR BASE WITH WHEELS



Code **OCOVEA21**

DESCRIPTION

Multifunctional swivel chair with 5-star base and upholstered shell

NOTE

Optional: various types of wheel brakes

TECHNICAL INFORMATION

STRUCTURE

Upholstered shell with polypropylene structure 8 mm

MECHANISM

Gas lift

PADDING (INJECTION MOLDED POLYURETHANE FOAM)

Sedile: thickness 20 mm, density 50 Kg/m³

Backrest: thickness 20 mm, density 50 Kg/m³

LEGS / FRAME / BASE

Die-cast aluminum 670 mm painted aluminum, white or shadow grey

UPHOLSTERY

Categories: B01, B03, C01, C05, D02, D03, D04, P01, E01, E02, E03, I01, I02, M02, M03
(see "FINISHING COLLECTION" folder)

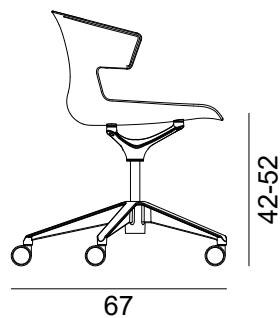
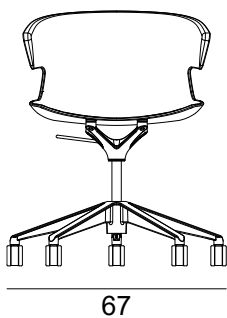
DIMENSION

Dimensions in millimeters

chair
L 650 H 740-840 D 650

seat
L 490 H 420-520 D 430

backrest
L 400 H 340



WEIGHT

Net weight a chair: 8 Kg
Gross weight a chair: 10 Kg

PACKAGING

1 disassembled chair per boxL
620 H 650 D 480

VOLUME

M3 box: 0,19

COVE

UPHOLSTERED H75 STOOL, 4 METAL LEGS


CATAS EN 16139 LEVEL I

Code **OCOVES21**

DESCRIPTION

Stool with 4-legged metal base with upholstered polypropylene shell

NOTE

11M fire retardant B01 fabric upholstered shell 
Optional: articulated foot with felt
Personalized painted frame on request (min 2 pieces)

TECHNICAL INFORMATION

STRUCTURE

Upholstered polypropylene shell 8mm

PADDING (INJECTION MOLDED POLYURETHANE FOAM)

Seat: thickness 20 mm, density 50 Kg/m³
Backrest: thickness 20 mm, density 50 Kg/m³

LEGS / FRAME / BASE

16X2mm tubes in chrome steel

UPHOLSTERY

Categories: B01, B03, C01, C05, D02, D03, D04, P01, E01, E02, E03, I01, I02, M02, M03
(see "FINISHING COLLECTION" folder)

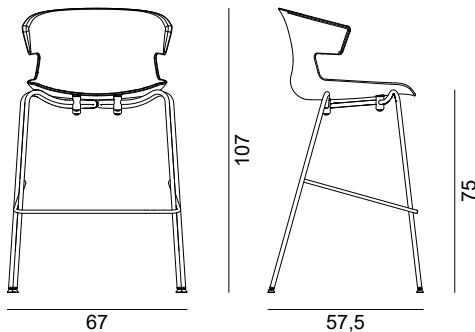
DIMENSION

Dimensions in millimeters

chair
L 670 H 1010 D 575

seat
L 490 H 750 D 430

backrest
L 400 H 340



WEIGHT

Net weight a chair: 8 Kg
Gross weight a chair: 11 Kg

PACKAGING

1 x box
L 625 H 680 D 790

VOLUME

M3 box: 0,34

COVE

UPHOLSTERED H65 STOOL, 4 METAL LEGS

CATAS EN 16139 LEVEL I




Code **OCOVES22**

DESCRIPTION

Stool with 4-legged metal base with upholstered polypropylene shell

NOTE

1M fire retardant B01 fabric upholstered shell 
Optional: articulated foot with felt
Personalized painted frame on request (min 2 pieces)

TECHNICAL INFORMATION

STRUCTURE

Upholstered polypropylene shell 8mm

PADDING (INJECTION MOLDED POLYURETHANE FOAM)

Seat: thickness 20 mm, density 50 Kg/m³

Backrest: thickness 20 mm, density 50 Kg/m³

LEGS / FRAME / BASE

16X2mm tubes in chrome steel

UPHOLSTERY

Categories: B01, B03, C01, C05, D02, D03, D04, P01, E01, E02, E03, I01, I02, M02, M03
(see "FINISHING COLLECTION" folder)

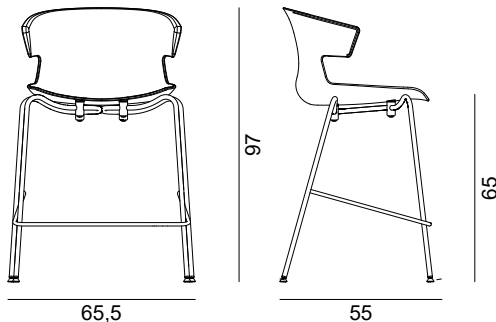
DIMENSION

Dimensions in millimeters

chair
L 670 H 1070 D 575

seat
L 490 H 650 D 430

backrest
L 400 H 340



WEIGHT

Net weight a chair: 7,5 Kg
Gross weight a chair: 10,5 Kg

PACKAGING

1 x box
L 625 H 680 D 790

VOLUME

M3 box: 0,34

COVE

UPHOLSTERED STOOL, 5-STAR SWIVEL BASE



Code **OCOVES24**

DESCRIPTION

Swivel based adjustable height stool, with adjustable height footrest, upholstered shell

NOTE

11M fire retardant B01 fabric upholstered shell 

TECHNICAL INFORMATION

STRUCTURE

Upholstered polypropylene shell 8mm

MECHANISM

MEC01- No mechanism

PADDING (INJECTION MOLDED POLYURETHANE FOAM)

Seat: thickness 20 mm, density 50 Kg/m³

Backrest: thickness 20 mm, density 50 Kg/m³

LEGS / FRAME / BASE

Base in die-cast aluminum 670mm painted aluminum or white; matching plate and footrest

UPHOLSTERY

Categories: B01-B03-C01-C05-D02-D03-D04-D06-P01-E01-E02-E03-E04-I01-I02-M01-M02-M03
(see "FINISHING COLLECTION" folder)

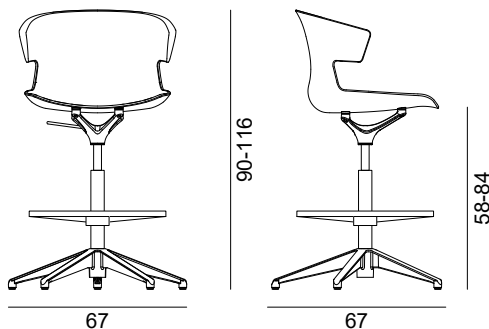
DIMENSION

Dimensions in millimeters

chair
L 650 H 900-1160 D 650

seat
L 490 H 540-790 D 430

backrest
L 400 H 340



WEIGHT

Net weight a chair: 9 Kg
Gross weight a chair: 11 Kg

PACKAGING

1 disassembled chair
per package

VOLUME

M3 package: 0,19

COVE

UPHOLSTERED STOOL, SWIVEL BASE



Code **OCOVES23**

DESCRIPTION

Swivel base stool with adjustable height

NOTE

11M fire retardant B01 fabric upholstered shell 

TECHNICAL INFORMATION

STRUCTURE

Upholstered polypropylene shell 8mm

MECHANISM

MEC01- No mechanism

PADDING (INJECTION MOLDED POLYURETHANE FOAM)

Seat: thickness 20 mm, density 50 Kg/m³

Backrest: thickness 20 mm, density 50 Kg/m³

LEGS / FRAME / BASE

Chrome plated ballast with elevated footrest

UPHOLSTERY

Categories: B01-B03-C01-C05-D02-D03-D04-D06-P01-E01-E02-E03-E04-I01-I02-M01-M02-M03
(see "FINISHING COLLECTION" folder)

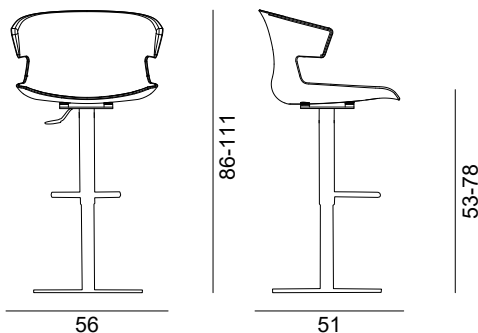
DIMENSION

Dimensions in millimeters

chair
L 560 H 860-1110 D 510

seat
L 490 H 440 D 430

backrest
L 400 H 340



WEIGHT

Net weight a chair: 21,5 Kg

Gross weight a chair: 24,5 Kg

PACKAGING

1 assembled chair per
package

VOLUME

M3 package: 0,35

COVE

2-PERSON UPHOLSTERED BENCH



Code **OCOVE203**

DESCRIPTION

2-person bench with upholstered seats

NOTE

Optional: table for seat substitution

Personalized painted frame on request (min 2 pieces)

TECHNICAL INFORMATION

STRUCTURE

Upholstered polypropylene shell 8mm

PADDING (Injection molded polyurethane foam)

Seat: thickness 20 mm, density 50 Kg/m³

Backrest: thickness 20 mm, density 50 Kg/m³

LEGS / FRAME / BASE

Aluminum painted steel tubes 40X2mm - Aluminum painted steel 80×40×2

UPHOLSTERY

Categories: B01, B03, C01, C05, D02, D03, D04, P01, E01, E02, E03, I01, I02, M02, M03
(see "FINISHING COLLECTION" folder)

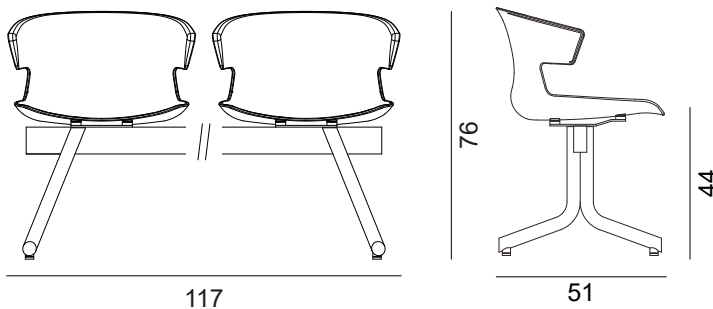
DIMENSION

Dimensions in millimeters

bench
L 1170 H 760 D 510

seat
L 490 H 440 D 430

backrest
L 400 H 340



WEIGHT

Net weight: 17 Kg
Gross weight: 20 Kg

PACKAGING

4 packages

VOLUME

M3 box: 0,35

COVE

3-PERSON UPHOLSTERED BENCH



Code **OCOVE303**

DESCRIPTION

3-person bench with upholstered seats

NOTE

Optional: table for seat substitution. Personalized painted frame on request (min 2 pieces)

TECHNICAL INFORMATION

STRUCTURE

Upholstered polypropylene shell 8mm

PADDING (INJECTION MOLDED POLYURETHANE FOAM)

Seat: thickness 20 mm, density 50 Kg/m³

Backrest: thickness 20 mm, density 50 Kg/m³

LEGS / FRAME / BASE

Aluminum painted steel tubes 40X2mm - Aluminum painted steel 80×40×2

UPHOLSTERY

Categories: B01, B03, C01, C05, D02, D03, D04, P01, E01, E02, E03, I01, I02, M02, M03
(see "FINISHING COLLECTION" folder)

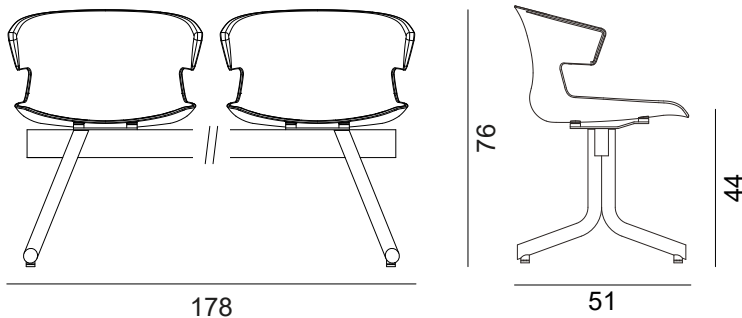
DIMENSION

Dimensions in millimeters

bench
L 1780 H 760 D 510

seat
L 490 H 440 D 430

backrest
L 400 H 340



WEIGHT

Net weight: 27 Kg
Gross weight: 32 Kg

PACKAGING

5 packages

VOLUME

M3 box: 0,45

COVE

4-PERSON UPHOLSTERED BENCH



Code **OCOVE403**

DESCRIPTION

4-person bench with upholstered seats

NOTE

Optional: table for seat substitution. Personalized painted frame on request (min 2 pieces)

TECHNICAL INFORMATION

STRUCTURE

Upholstered polypropylene shell 8mm

PADDING (INJECTION MOLDED POLYURETHANE FOAM)

Seat: thickness 20 mm, density 50 Kg/m³

Backrest: thickness 20 mm, density 50 Kg/m³

LEGS / FRAME / BASE

Aluminum painted steel tubes 40X2mm - Aluminum painted steel 80×40×2

UPHOLSTERY

Categories: B01, B03, C01, C05, D02, D03, D04, P01, E01, E02, E03, I01, I02, M02, M03
(see "FINISHING COLLECTION" folder)

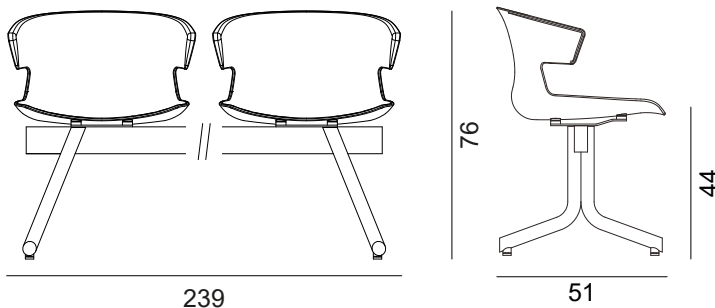
DIMENSION

Dimensions in millimeters

bench
L 2390 H 760 D 510

seat
L 490 H 440 D 430

backrest
L 400 H 340



WEIGHT

Net weight: 34 Kg
Gross weight: 39 Kg

PACKAGING

6 packages

VOLUME

M3 box: 0,59